



ULTRA WASH ZOOM

LCG-MHW730Z / WASH 7*30W LED

Technical data

FEATURES

LED Type: 7*30W 4in1 RGBW
 Beam Angle: 6° to 60° linear zoom
 Color temperature: 2700K to 8000K
 Pixel each led controllable individually
 Preset variable / random strobe & dimming pulse effect
 25T/sec high speed LED shutter/strobe effect with variable speed

Movement

Smooth & precise resolution for PAN/TILT
 360° /540° /630° PAN & 90°/180°/270° TILT
 Scan position memory, auto reposition after unexpected movement

Control

Control signal: DMX512, Master/Slave, Sound activated, Auto operation
 Control Channel: 16CH / 22CH / 50CH USITT DMX-512
 DMX recorder and edit function integrated
 Display: Illuminated graphic LCD

Connectors

Signal connection: XLR 3-Pin In/Out
 Power Input: PowerCON IN/OUT

Operating Conditions

Input voltage: 90-260V AC / 50-60Hz
 Power: 240W
 Maximum ambient temperature: -30°C / 86°F, 50°C / 122°F
 IP20 protection rating

Mounting Options

Standing: Rubber feet
 Hanging: 1x 1/4 turn fastening Omega clamp
 Safety wire attachment: foldout eyelets

Shipping

Single fixture

Housing Colors

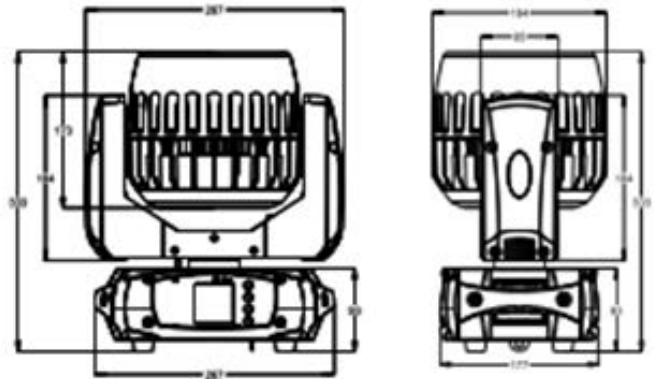
ABS die-cast plastic cover with Aluminium structure
 Standard colors: black

Dimensions

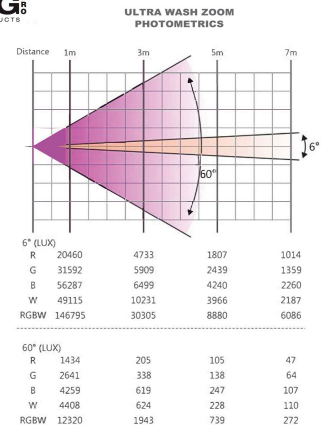
Length: 287 mm / 11.3 in
 Width: 177 mm / 7.0 in
 Height (head horizontal): 333 mm / 13.1 in
 Weight N.W: 6.0kgs / N.W: 13 lbs



Dimension



Photometrics



L.C GROUP | 422, Chemin des Prairies, Joliette, Québec, Canada, J6E 4J8
 Tel: (450) 755-6091 | Toll free: (800) 263-6091
 www.lc-group.ca | info@lc-group.ca